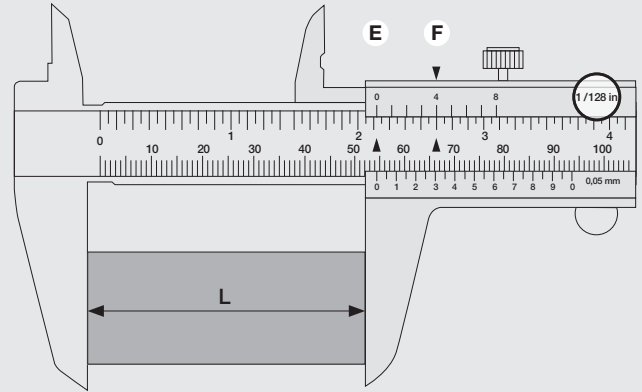
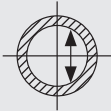
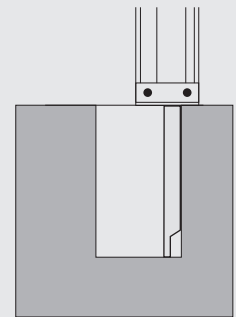
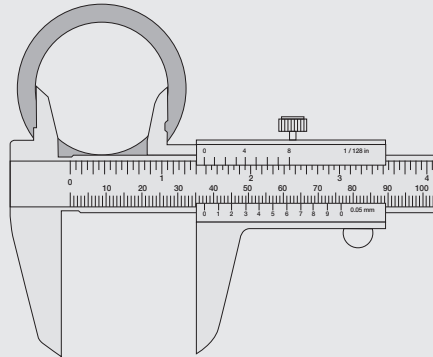
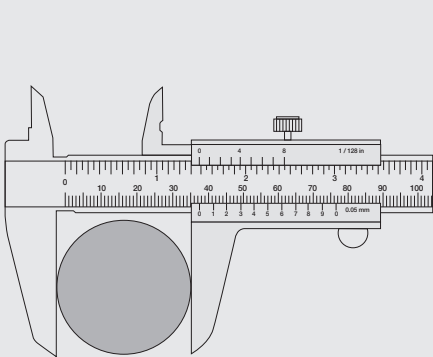


$$D = A + B = 37 + 0,45 = 37,45 \text{ mm}$$

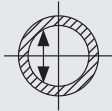
$$D = A + B = 37 + 9 \times 0,05 \text{ mm} = 37,45 \text{ mm}$$



$$L = E + F = 2.2/16'' + 4 \times 1/128'' = 2.4/32 + 1/32 = 2.5/32''$$



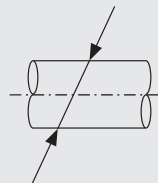
×



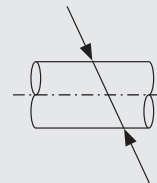
×



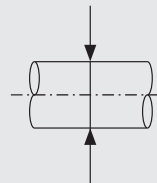
✓



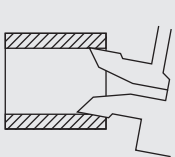
×



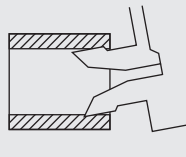
×



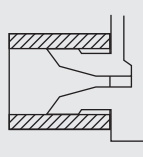
✓



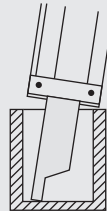
×



×



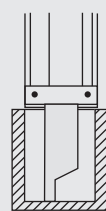
✓



×



×



✓

